

608ZZ flanged bearing. Included.

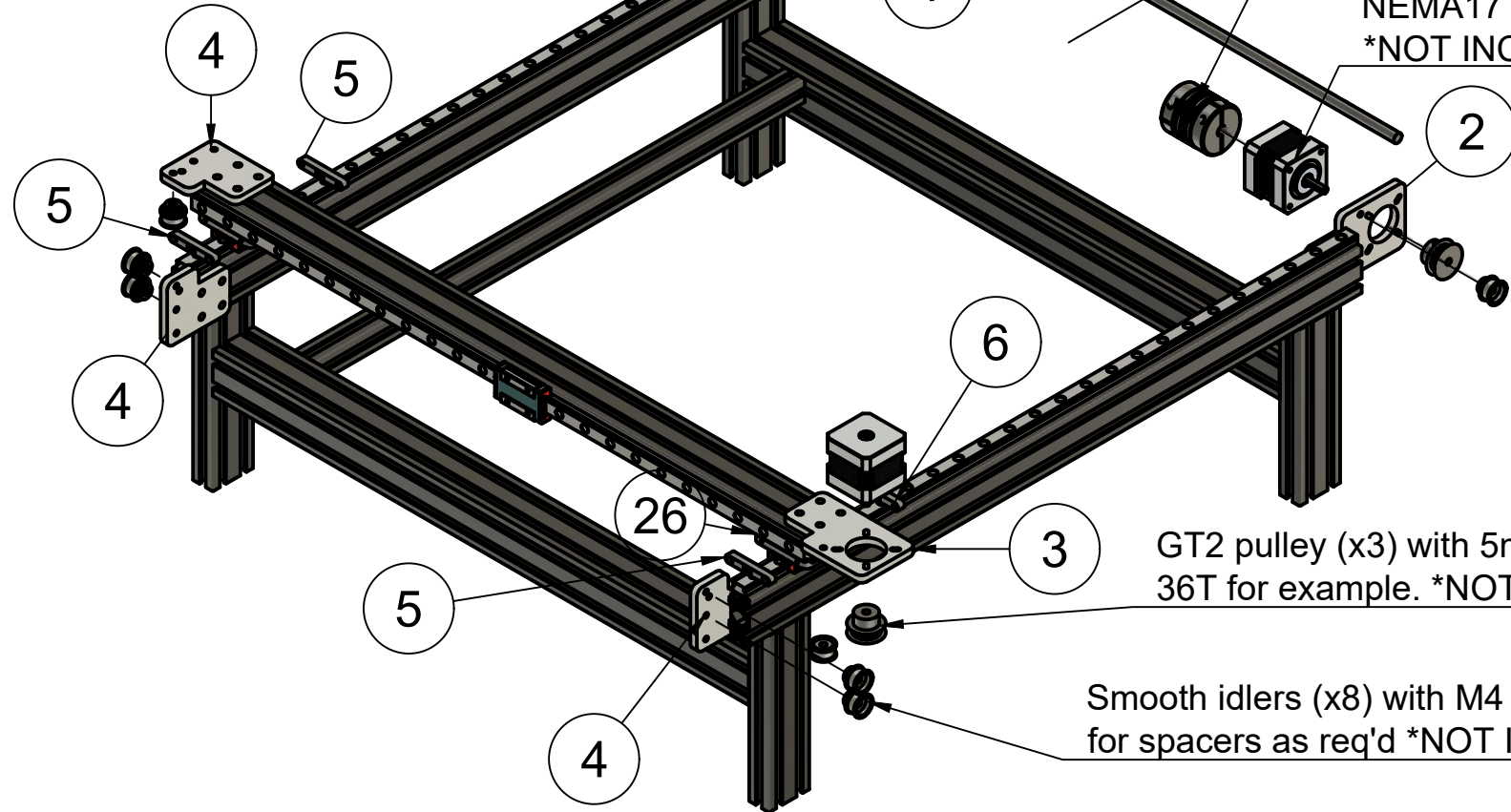
8mm smooth rod driveshaft. *NOT INC.

5mm to 8mm shaft coupling.
*NOT INC.

NEMA17 THRU SHAFT.
*NOT INC.

GT2 pulley (x3) with 5mm bore.
36T for example. *NOT INC.

Smooth idlers (x8) with M4 washers
for spacers as req'd *NOT INC.



ITEM	DESCRIPTION	QTY
1	Driven Y plate	1
2&3	Motor mount plate	2
4	Idler plate	3
5&6	Belt traps	4
26	Sled bracket	2

Created by Peter Betz		2019-04-27		Approved by	
Document type				Document status	
Title PLATE KIT Both Y rails driven				DWG No.	
Rev.	Date of issue			Sheet	
0	2019-04-27			1/1	